

o z o n e

PRODUCT SHEET: Classique V

Version: ENGLISH

Date: January 2023



o z o n e – Classique V

DESCRIPTION: Chandelier. Structures in aluminium and brass. Brushed bronze, mirror nickel or gun metal finish. White paper diffusing material.

Warm white 2200K LED down lighting, 230W, 11000Lumens.

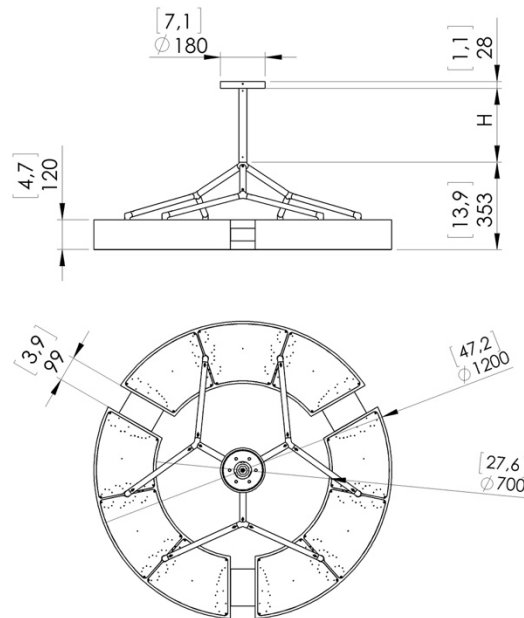
Converter 24V non-integrated, to be placed in a distant box.

Weight: 48kg - 106lbs

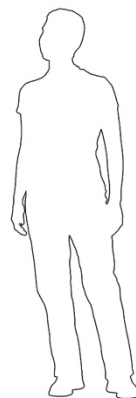
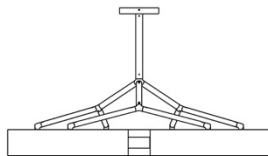
Size: 120x120x12cm - 47.2x47.2x4.7in + Height of the hanging structure

Compliance: CE Class III

Origin: France



Dimensions in mm [inches]



Silhouette : 175cm / 69in