

o z o n e

PRODUCT SHEET: Parisienne Saint-Germain

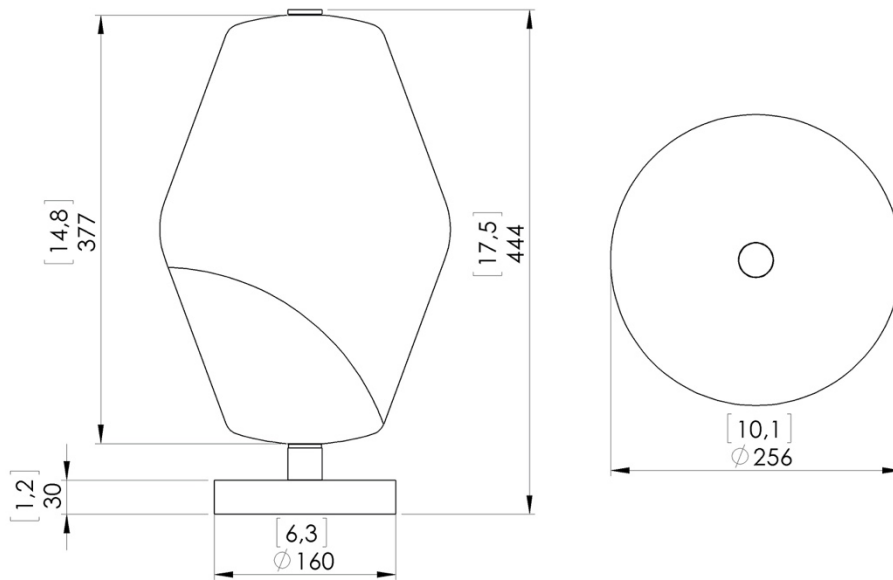
Version: ENGLISH

Date: January 2023

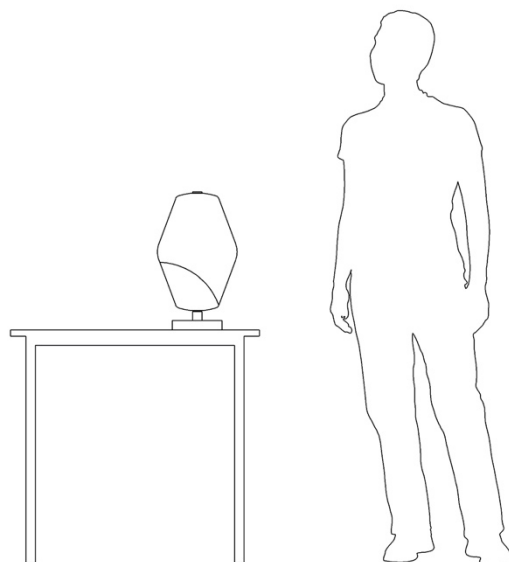


o z o n e – Parisienne Saint-Germain

DESCRIPTION: Table lamp. Aluminum and brass structure. Pale gold finish.
The shade is in hand-blown glass, partly sandblasted.
Warm white 2200K LED sources, 10W, 610Lumens.
Integrated converter.
Weight: 5,5kg - 12.2lbs
Size: 45x26x26cm - 17.5x10.1x10.1in
Compliance: CE Class I
Origin: France



Dimensions in mm [inches]



Silhouette :
175cm / 69in