

o z o n e

PRODUCT SHEET: Tennessee S2 96

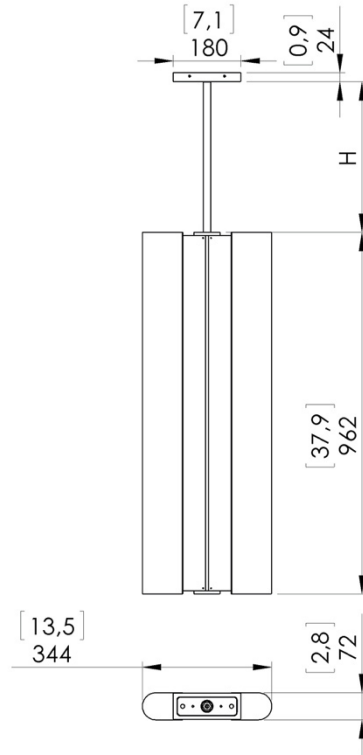
Version: ENGLISH

Date: January 2023



o z o n e – Tennessee S2 96

DESCRIPTION: Pendant light. Aluminium and brass structure.
Brushed bronze or gun metal finish. White paper diffusing material.
Warm white 2200K LED sources, 36W, 1600Lumens.
Converter 24V non-integrated, to be placed in a distant box.
Weight: 13kg – 28.7lbs
Size: 96,2x34,4x7,2cm – 37.9x13.5x2.8in + Height of the hanging structure
Compliance CE: Class III
Origin : France



Dimensions in mm [inches]



Silhouette : 175 cm / 69 in