

o z o n e

PRODUCT SHEET: Untitled T

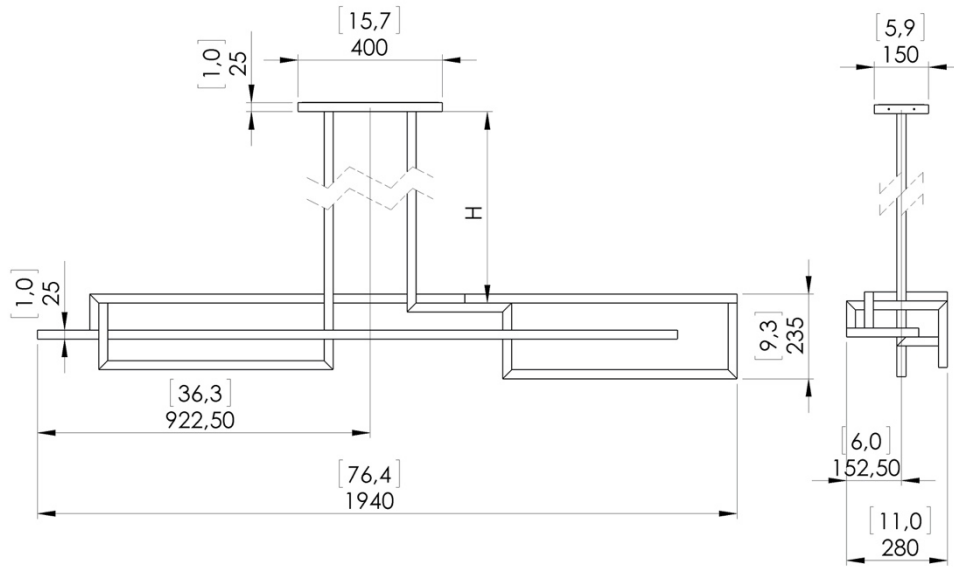
Version: ENGLISH

Date: January 2023

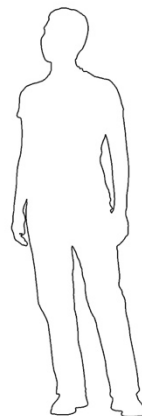
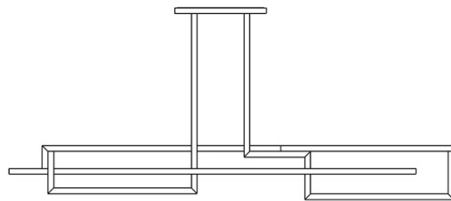


o z o n e - Untitled T

DESCRIPTION: Chandelier. Design in collaboration with Christophe Périchon.
Brass and aluminium structure. Pale gold, mirror nickel or gun metal finish.
Warm white 2200K LED down lighting, 35W, 2700Lumens.
Converter 24V non-integrated, to be placed in a distant box.
Weight: 21kg – 46.3lbs
Size: 194x28xh24cm - 76.4x11x9.3in + Height of the hanging structure
Compliance: CE Class III
Origin: France



Dimensions in mm [inches]



Silhouette : 175cm / 69in