

o z o n e

PRODUCT SHEET: Classique S

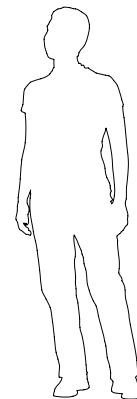
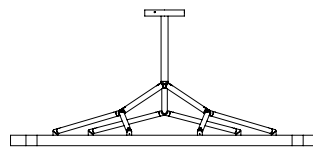
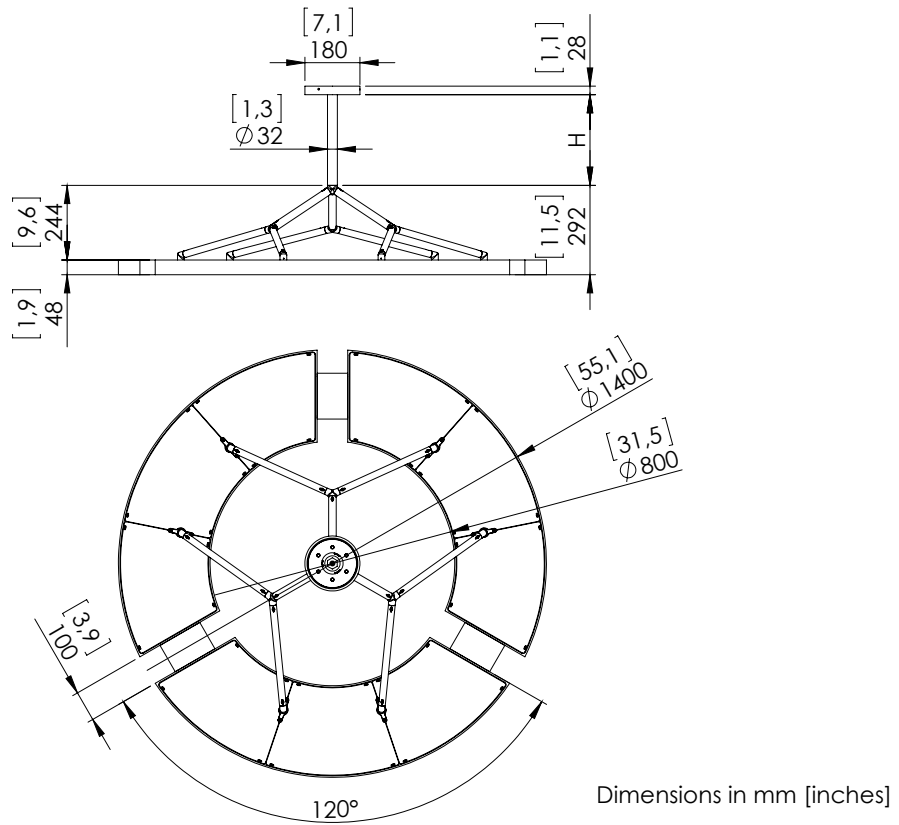
Version: ENGLISH

Date: April 2024



o z o n e – Classique S

DESCRIPTION: Chandelier. Structure in aluminium and brass.
Mirror nickel or gun metal finish.
Warm white 2200K LED up lighting, 250W, 9600Lumens (with a white ceiling).
Converter 24V non-integrated, to be placed in a distant box.
Weight: 59kg - 130lbs
Size: 140x140x5cm - 55.1x55.1x1.9in + Height of the hanging structure
Compliance: CE Class III
Origin: France



Silhouette : 175cm / 69in