

o z o n e

PRODUCT SHEET: Classique V

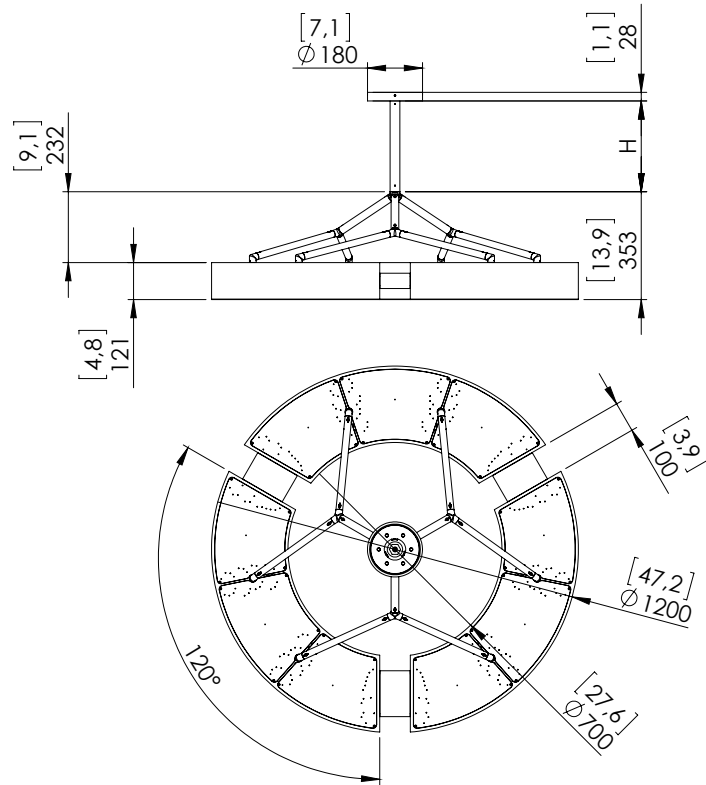
Version: ENGLISH

Date: April 2024

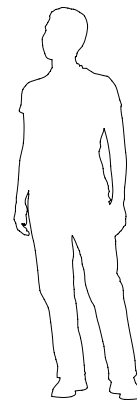
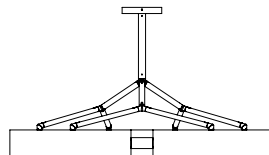


o z o n e – Classique V

DESCRIPTION: Chandelier. Structures in aluminium and brass. Brushed bronze, mirror nickel or gun metal finish. White paper diffusing material.
Warm white 2200K LED down lighting, 230W, 11000Lumens.
Converter 24V non-integrated, to be placed in a distant box.
Weight: 48kg - 106lbs
Size: 120x120x12cm - 47.2x47.2x4.7in + Height of the hanging structure
Compliance: CE Class III
Origin: France



Dimensions in mm [inches]



Silhouette : 175cm /69in