

o z o n e

PRODUCT SHEET: Classique V90

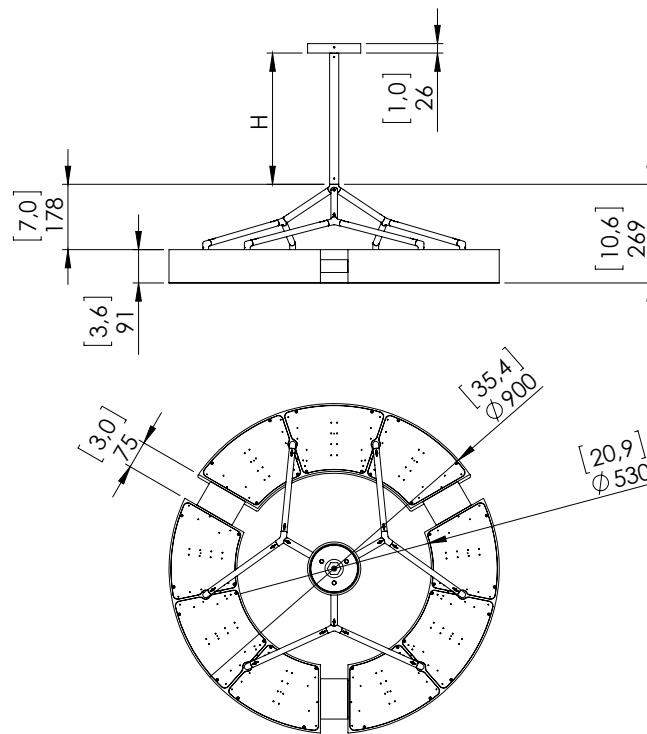
Version: ENGLISH

Date: April 2024

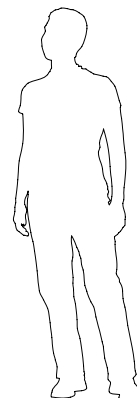
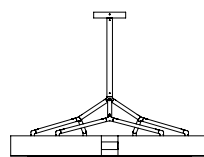


o z o n e – Classique V90

DESCRIPTION: Chandelier. Structures in aluminium and brass.
Brushed bronze, mirror nickel or gun metal finish. White paper diffusing material.
Warm white 2200K LED down lighting, 86W, 4000Lumens.
Converter 24V non-integrated, to be placed in a distant box.
Weight: 21kg – 46.3lbs
Size: 90x90x9cm - 35.4x35.4x3.5in + Height of the hanging structure
Compliance: CE Class III
Origin: France



Dimensions in mm [inches]



Silhouette : 175 cm / 69 in