

o z o n e

PRODUCT SHEET: Tennessee S2 48

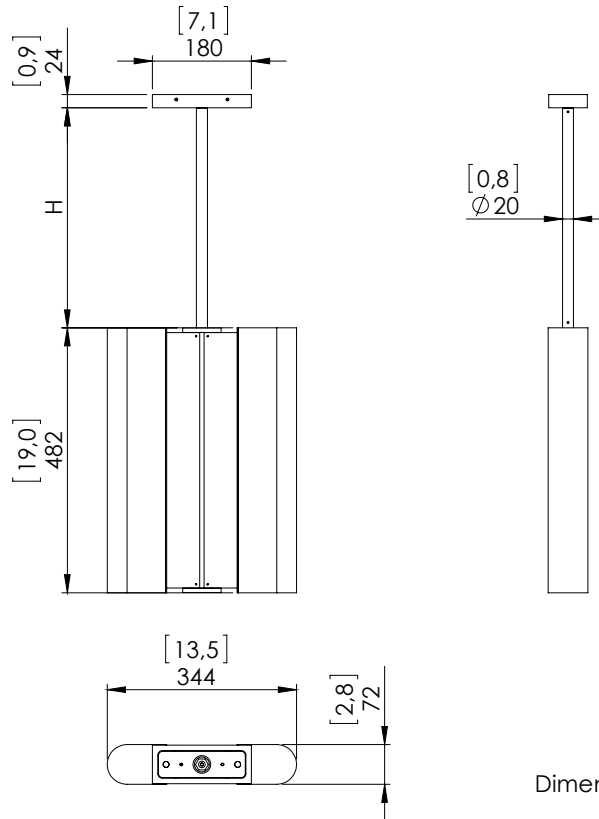
Version: ENGLISH

Date: April 2024

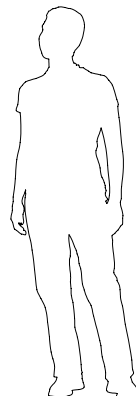
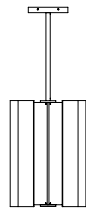


o z o n e – Tennessee S2 48

DESCRIPTION: Pendant light. Aluminium and brass structure.
Finish in brushed bronze. White paper diffusing material.
Warm white 2200K LED sources, 16W, 730Lumens.
Converter 24V non-integrated, to be placed in a distant box.
Weight: 6,9kg - 15.3lbs
Size: h48,2x34,4x7,2cm - 19x13.5x2.8in + Height of the hanging structure
Compliance: CE Class III
Origin: France



Dimensions in mm [inches]



Silhouette: 175cm/69in