

o z o n e

PRODUCT SHEET: Tennessee PL1

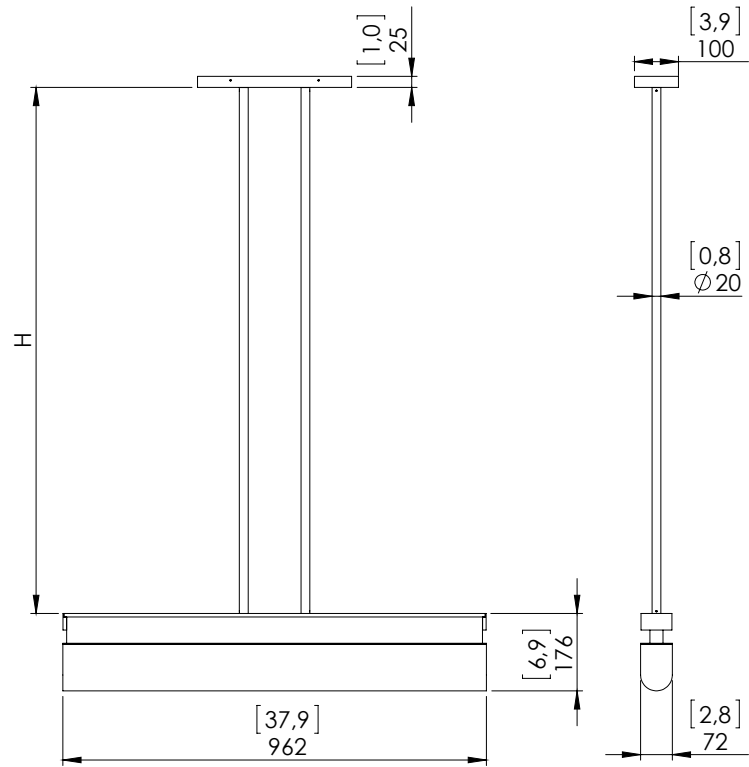
Version: ENGLISH

Date: October 2024

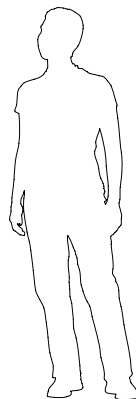
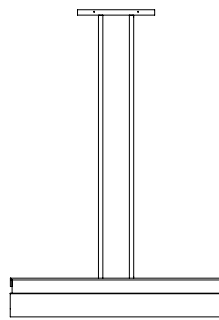


o z o n e – Tennessee PL1

DESCRIPTION: Pendant light. Aluminium and brass structure.
Finish in brushed bronze. White paper diffusing material.
Warm white 2200K LED sources, 21 W, 1500 Lumens.
Converter 24V non-integrated, to be placed in a distant box.
Weight: 15kg - 33lbs
Size: 96×18×7cm – 38x7x3in + height of the hanging structure
Compliance: CE Class III
Origin: France



Dimensions in mm [inches]



Silhouette : 175 cm / 69 in