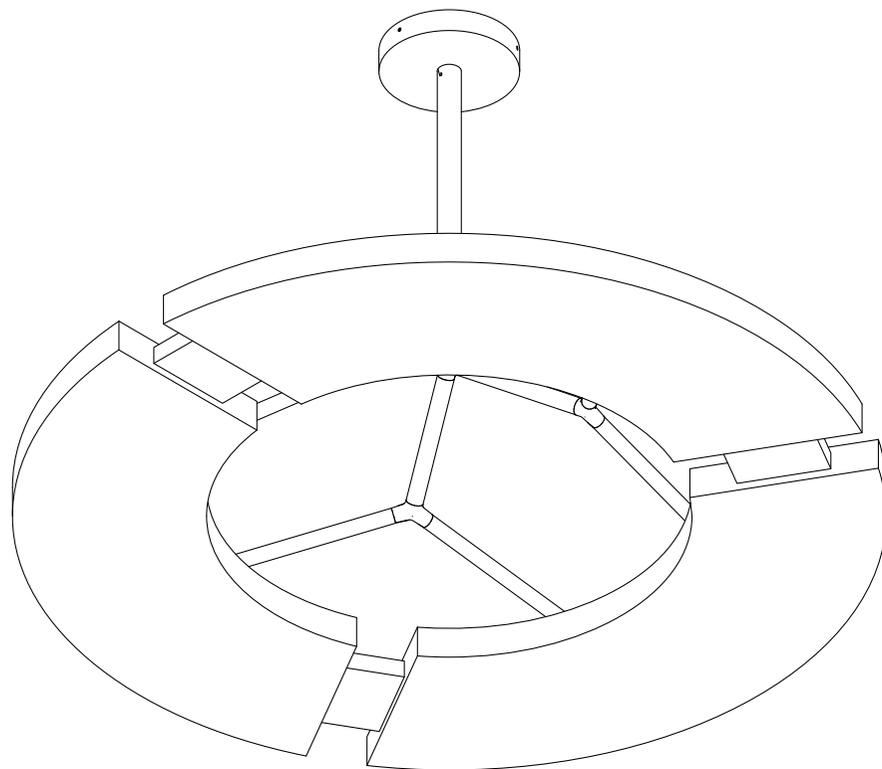


READ THE INSTALLATION
INSTRUCTIONS BEFORE
REMOVING THE
CHANDELIER FROM
PACKAGING

o z o n e



Summary

I. Check list and recommendations.....	4
PH 00. Safety instructions	5
PH 01. Precautions	6
PH 02. Remove the packaging	7
PH 03. Check list	8
II. Installation	9
PH 04. Remove the fixing plate	10
PH 05. Check voltage	11
PH 06. Set the fixing plate	12
PH 07. Pass the cables through the upright.....	13
PH 08. Insert the upright into the main structure	14
PH 09. Position the lamp into the rising system	15
PH 10. Connection.....	16
PH 11. Fix the light fixture.....	17
PH 12. Installation is finished	18

Time per phase (minutes)	1
	1
	5
	1
	5
	5
	10
	5
	5
	10
	5
	5
	1
Time per light fixture (minutes)	59

I. Check list and recommendations

PH 00. Safety instructions

Technicians : 1

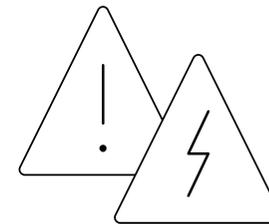
Time: 1 min

ALWAYS WORK WITH ELECTRICAL POWER OFF

USE RECOMMENDED TOOLS

BE CAREFUL WITH THE EDGE OF THE LIGHT FIXTURE

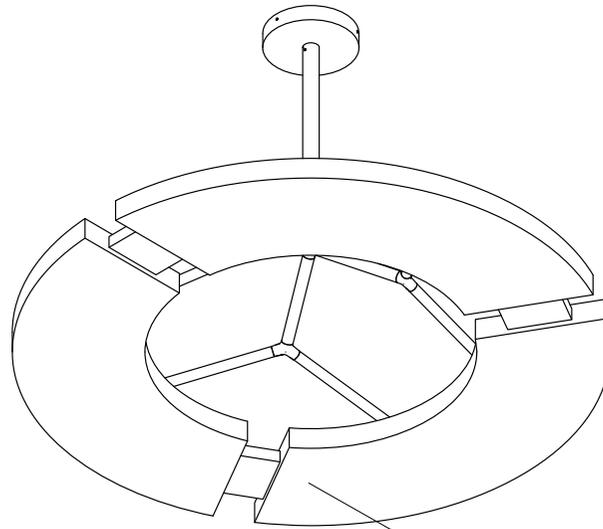
MINIMUM 4 TECHNICIANS



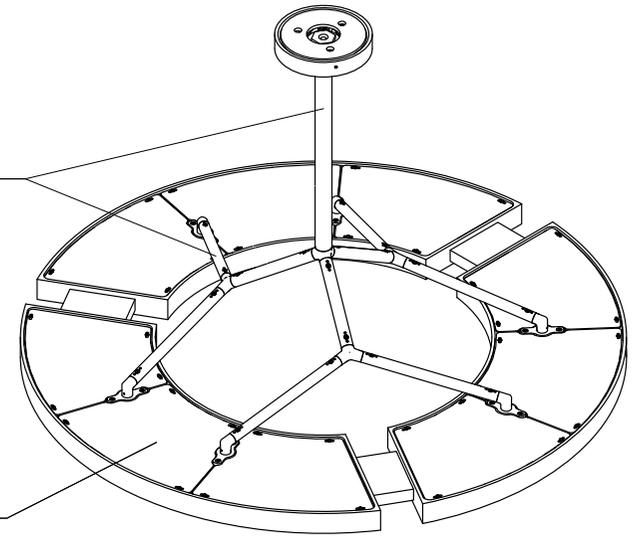
PH 01. Precautions

Technicians : 1

Time: 1 min



Be careful,
delicate surface



NEVER press directly
on the surface

PH 02. Remove the packaging

Technicians:

3

Time : 5 min

Tools

- Gloves

Protection

- Be careful not to damage the luminaire during extraction

Instruction

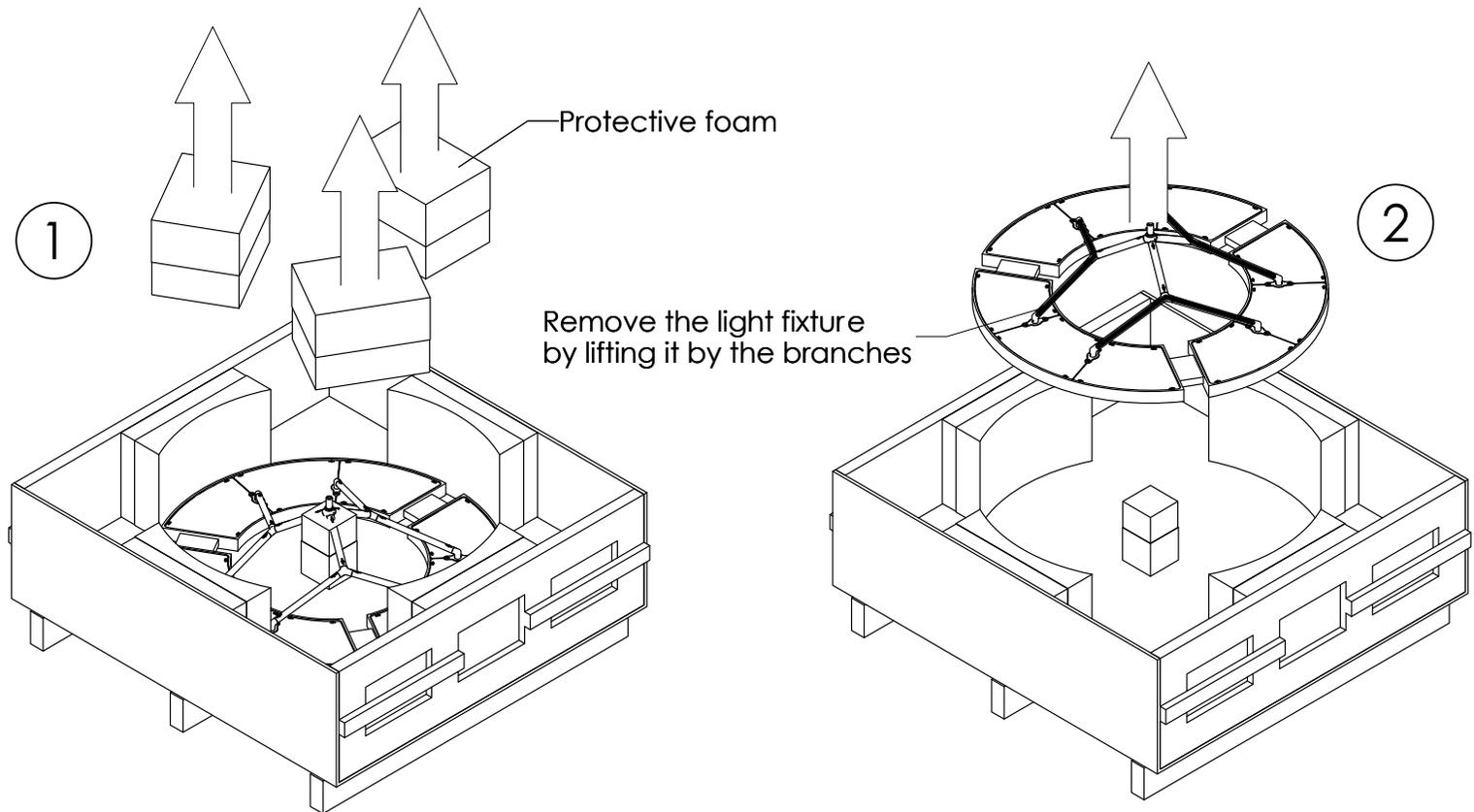
3 people remove the light fixture from the package.

- Remove the protective foam (x3) from package.

- Lift the light fixture and remove it from the package taking it by the branches.

- Put the light fixture on a delicate surface.

Check



PH 03. Check list

Technicians : 1

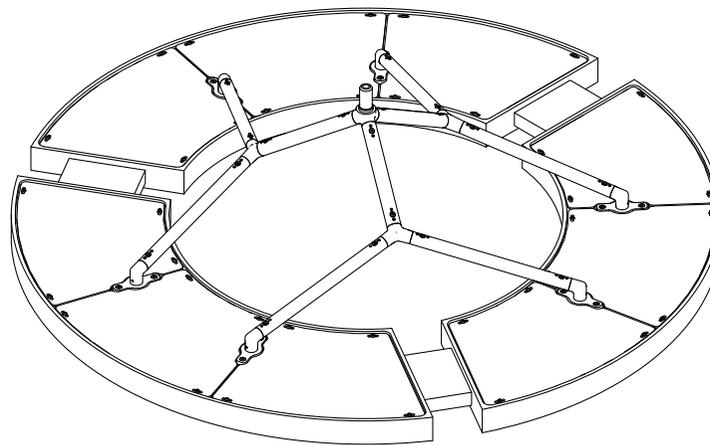
Time: 1 min

Check that you have :

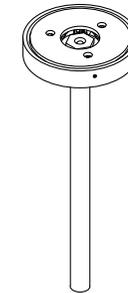
- Lampshade
- Hanger part
- 3x grub screw ST HC M4x16 black steel
- 1x grub screw ST HC M4x03 black steel
- Hexagonal key size 2
- 6x Fast connectors WAGO 2 wires

We recommend to use

- Ladder
- Wire stripper
- Tension tester
- Drill/Screwdriver
- Fixation system
- Hexagonal screwdriver size 2
- Lifting system (protect the surface in contact with the lamp).



Lampshade



Hanger part

II. Installation

PH 04. Remove the fixing plate

Technicians : 1

Time: 5 min

Tools

- Hexagonal screwdriver size 2

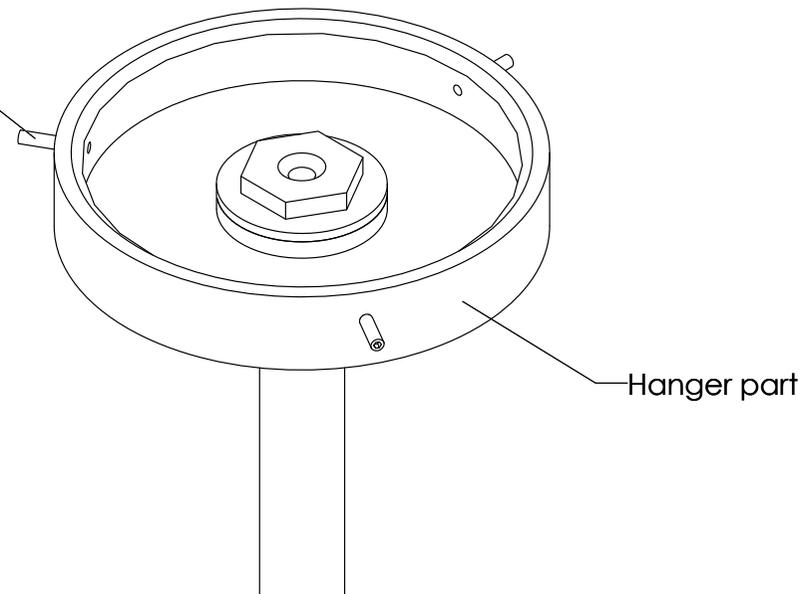
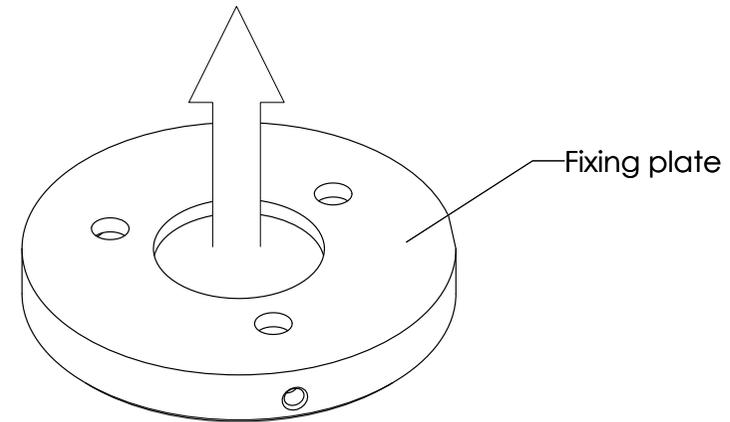
Instructions

- To facilitate the crating of the product, the fixing plate is assembled on the hanger part.
- Remove the fixing plate from the hanger part.
- Leave the grub screws pre-screwed into the hanger part.

Check

- Check that grub screws are into the cover plate without exceeding inside.

Untighten the grub screw
ST HC M4x16 without removing
them completely



PH 05. Check voltage

Technicians : 1

Time: 5 min

Tools

- Wire stripper
- Tension tester

Protection

- Cut off the electric power before stripping cables.

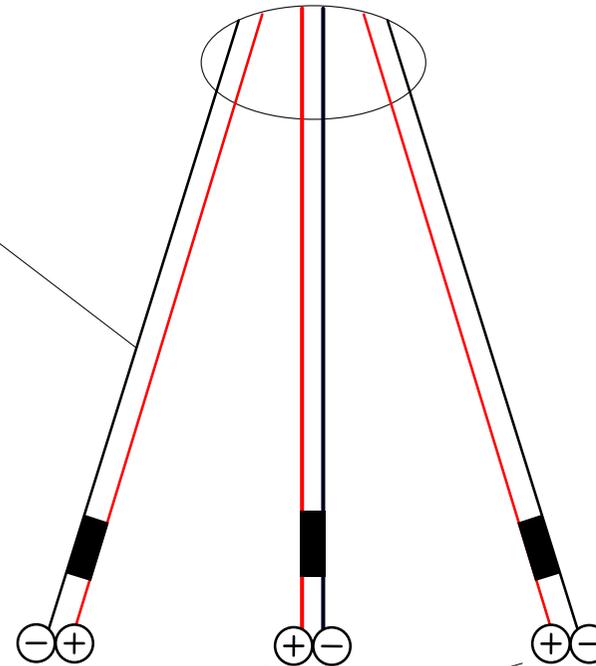
Instructions

- Cut off the electric power.
- Strip the cables from ceiling.
- Test the voltage.
- The voltage should be 24V constant.
- When you finish add WAGO 2 cables on each cable.

OUTPUT
MAX 50mm

Each couple of secondary cables should be connected to a remote power supply with a driver

The current should be 24V constant



Mark up each couple of cables

PH 06. Set the fixing plate

Technicians : 1

Time: 10 min

Tools

- Drill/Screwdriver
- Wire stripper
- Tension tester

Protection

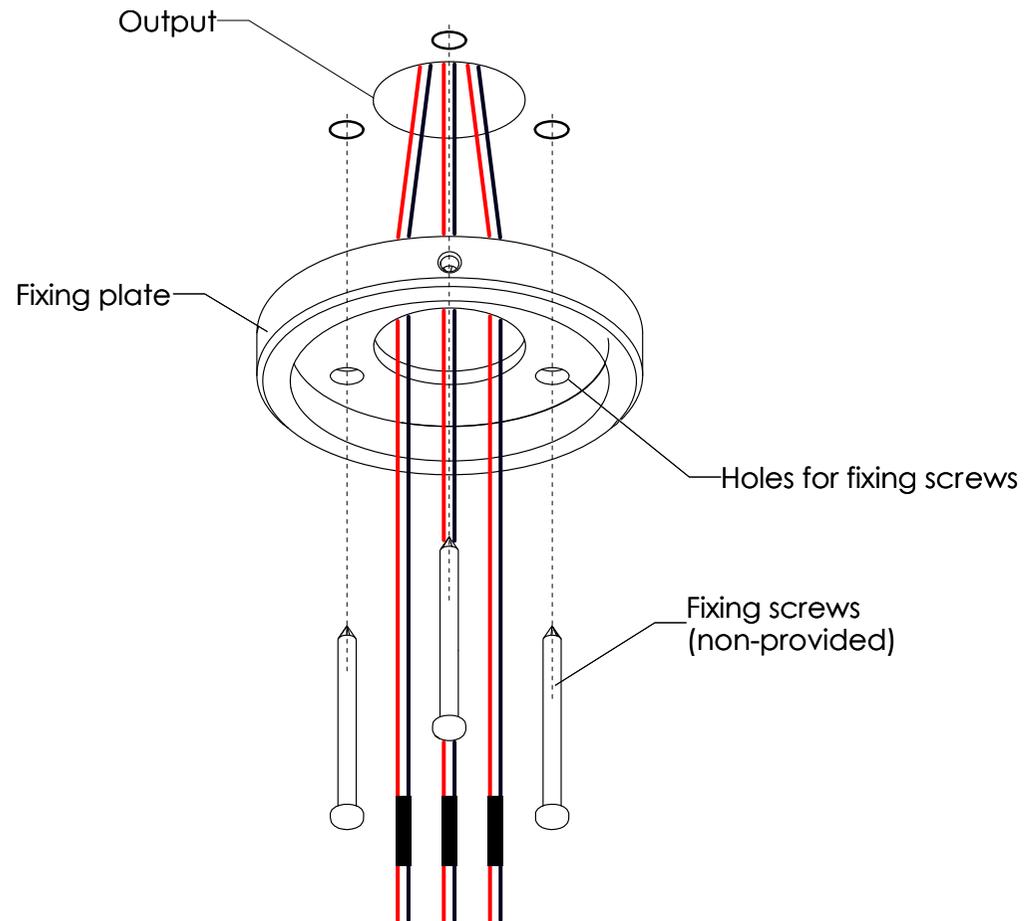
- Work without electrical power.

Instructions

- Pass secondary cables through the fixing plate.
- Mark the drilled holes into the ceiling.
- Drill into the marks.
- Add the fixation system and fix the plate into the ceiling. (Fixing screw non-provided)

Check

- Check that the plate is pressing against the ceiling.



PH 07. Pass the cables through the upright

Technicians:

2

Time : 5 min

Tools

- Wire stripper

Protection

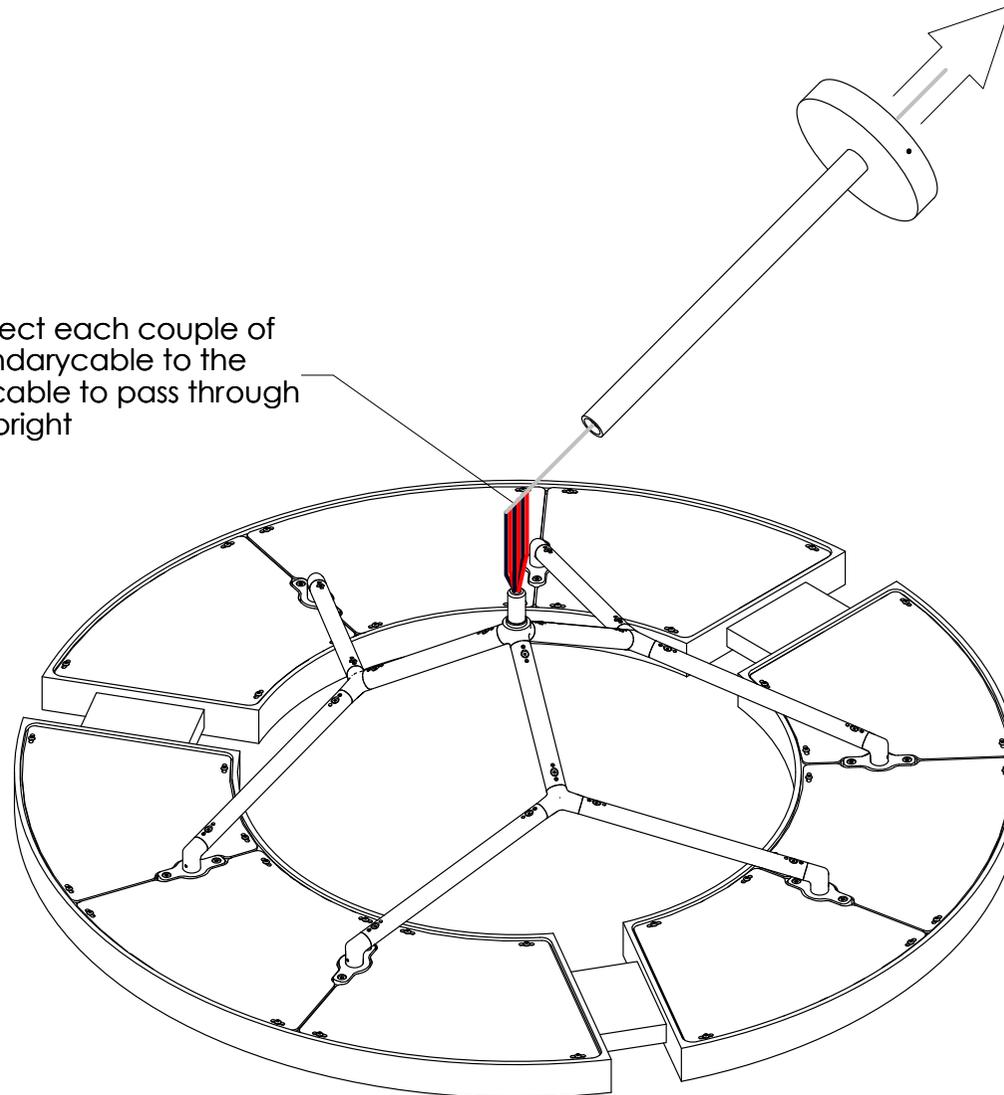
Instruction

1 technician holds the upright and 1 other technician passes the cables.

- Connect secondary cables to the rigid cable from the upright.
- Gently, pass the cables through the upright by pulling on the rigid cable.

Check

Connect each couple of secondary cable to the rigid cable to pass through the upright



PH 08. Insert the upright into the main structure

Technicians:

1

Time : 5 min

Tools

- Hexagonal screwdriver size 2

Protection

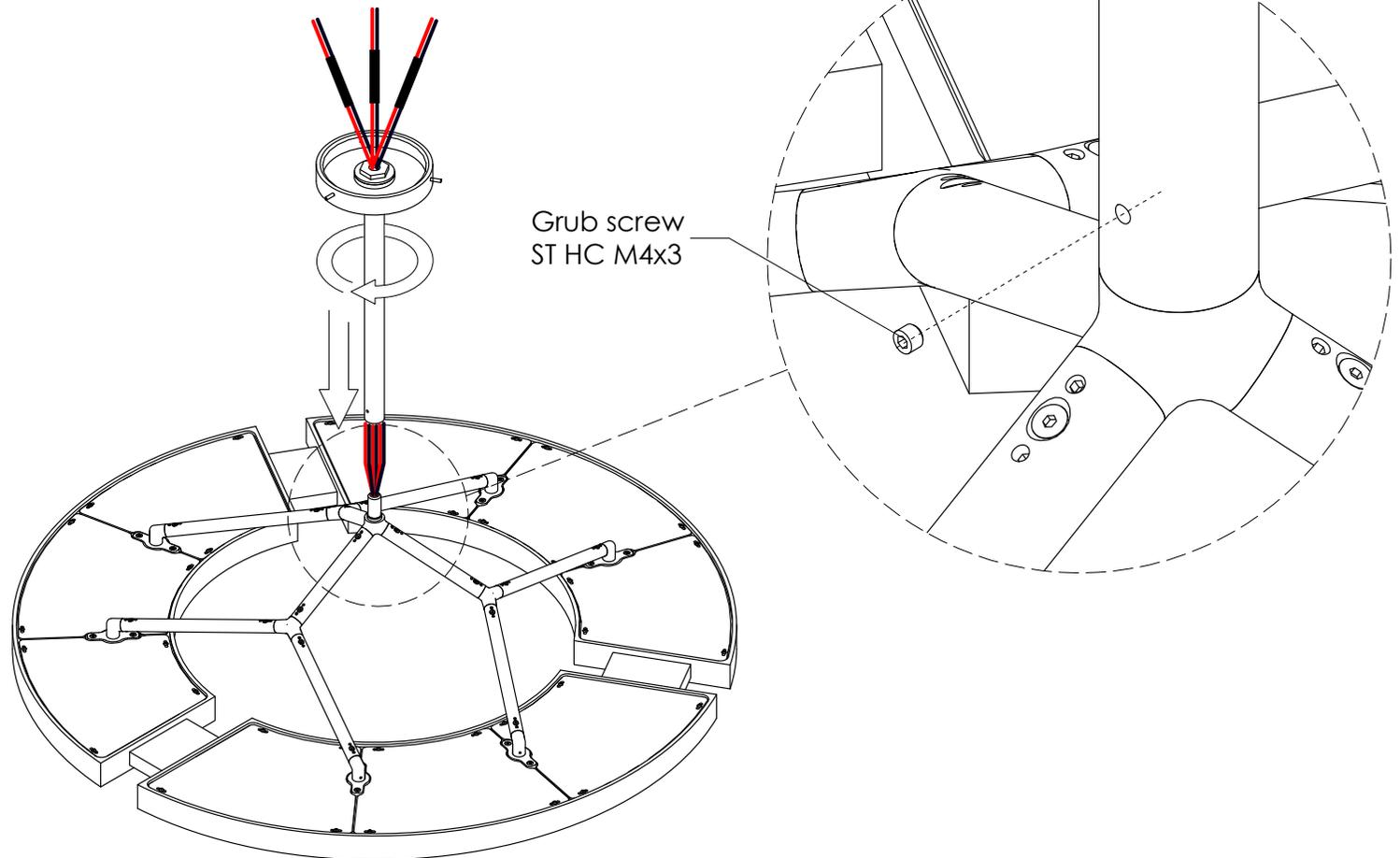
- Be careful not to damage cables and connectors during insertion.

Instruction

- Insert the upright into the lampshade, keeping the cables inside the hanger part.
- Screw the upright into the branches until the end.
- Tighten the indicated grub screw to fix the upright.

Check

- Any cable is damaged.



PH 09. Position the lamp into the rising system

Technicians:

4

Time: 10 min

Tools

- Secondary cables (2m)
- Rising system

Protection

- Make connections without electrical power.

Instruction

4 technicians mount the lifting system and put the light fixture on the platform.

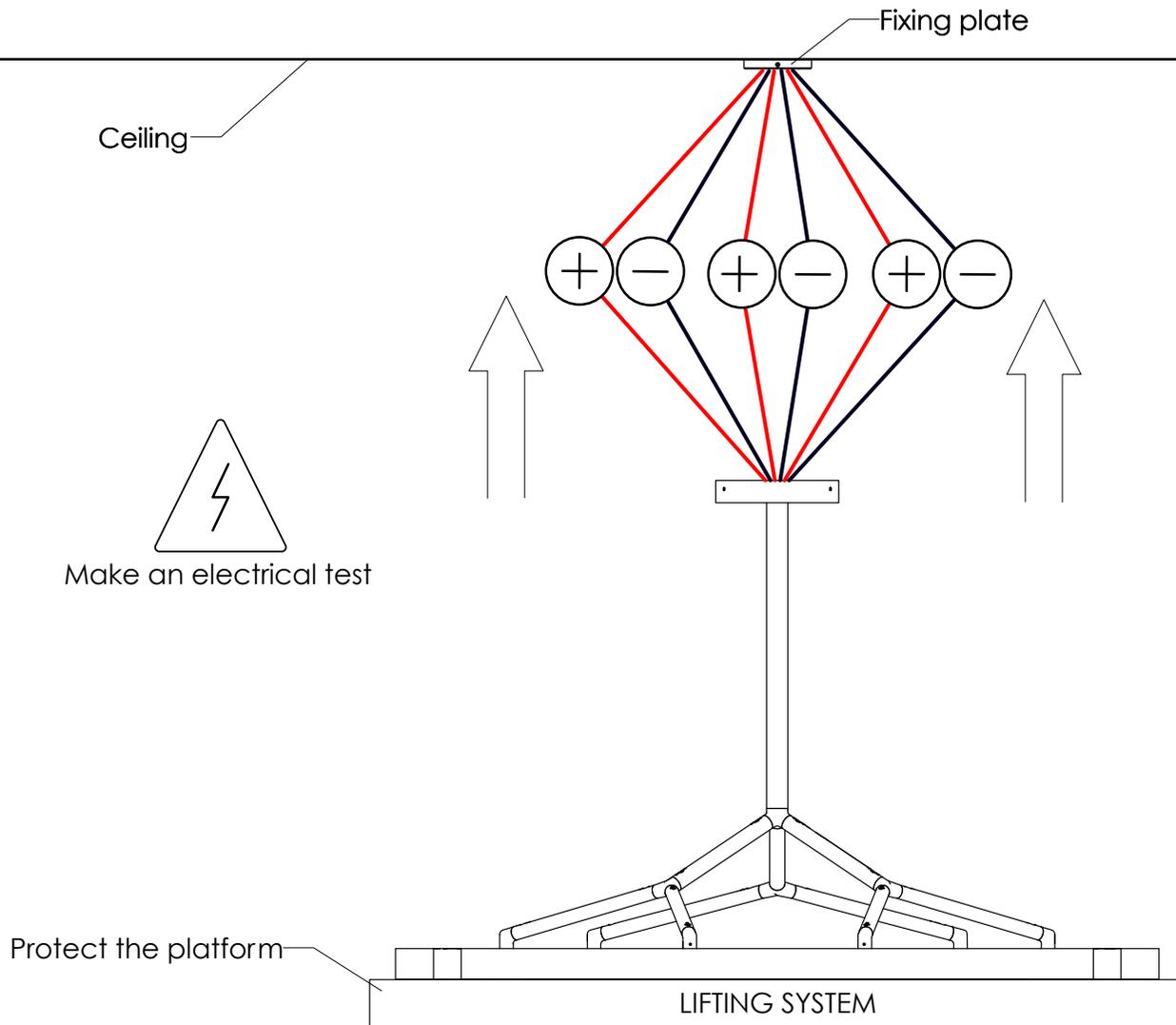
- Mount the rising system above the fixing plate.

- Protect the platform of the rising system.

- Put light fixture on protected platform and check the lighting.

Check

- All the lampshades work correctly.



PH 10. Connection

Technicians:

4

Time : 5 min

Tools

- Wire stripper
- Connectors 2 wires
- Hexagonal screwdriver size 2

Protection

- Work without electrical power.

Instruction

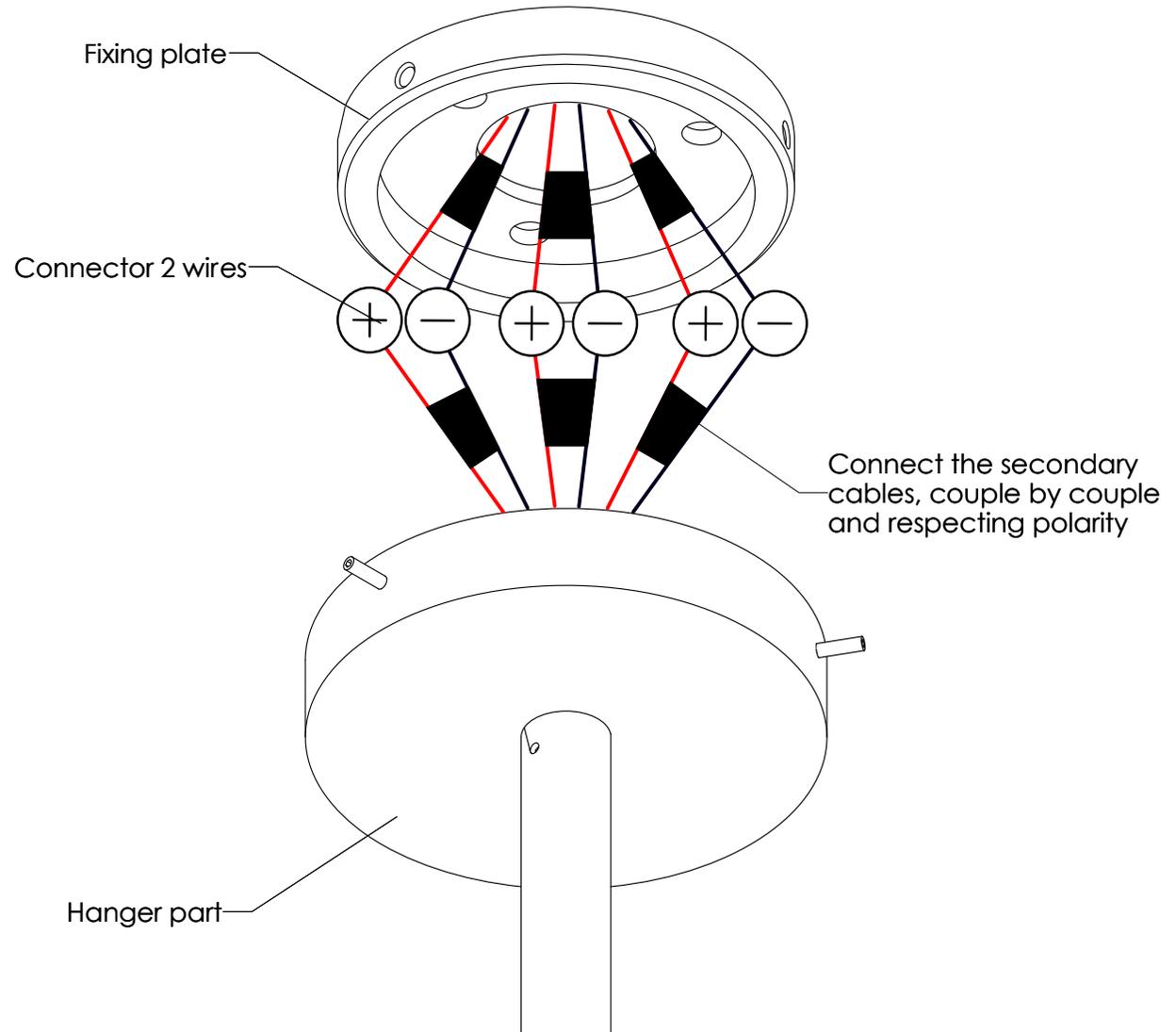
1 technician on the ladder to make electrical connection. This technician has to be equipped with a hexagonal screwdriver size 2.

3 technicians to hold the light fixture and to position it with the lifting system.

- Raise the light fixture under the fixing plate and position it in a correct distance to make the electrical connection.

- Connect the secondary cables, respecting polarity and the couples of cables

Check



PH 11. Fix the light fixture

Technicians : 4

Time: 5 min

Tools

- Lifting system
- Hexagonal screwdriver size 2

Protection

- Work without electrical power.

Instructions

3 technicians hold the light fixture on the lifting system and 1 other technician (on a ladder) stores the cables in the ceiling, guides the insertion and tighten the grub screws.

- Gently, keep secondary cables and connectors inside the fixing plate.

- Position the light fixture aligning the holes of the fixing plate and the hanger part.

- Raise the light fixture until it will be pressing against the ceiling.

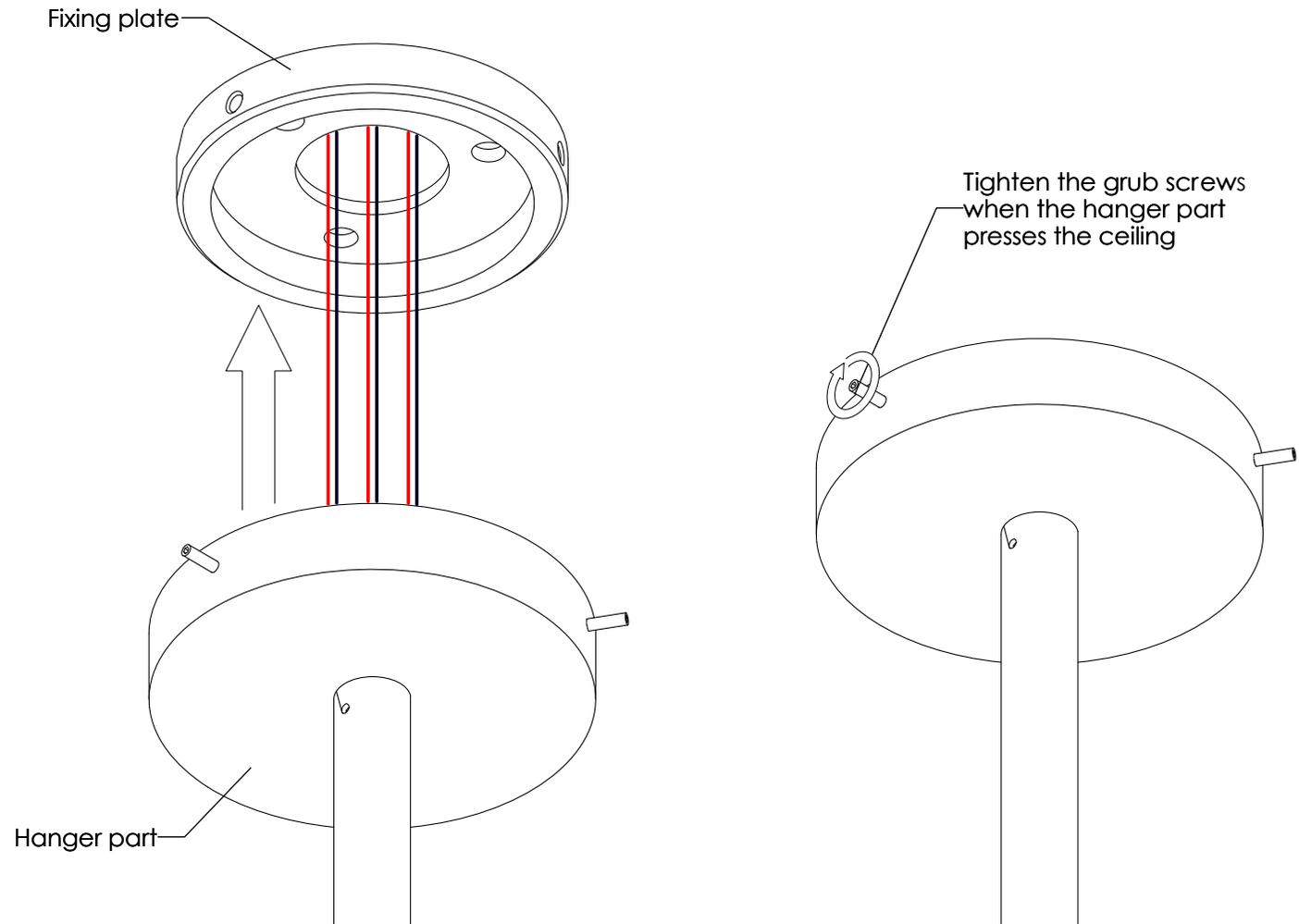
- Tighten the indicated grub screws until the hanger part is completely fixed.

- Slowly descend the platform of the lifting system

- Remove the lifting system

Check

- Good fixation.



PH 12. Installation is finished

Technicians:

1

Time : 1 min

Tools

Protection

Instruction

- Check the lighting.
- Check that the lamp is in a correct orientation and that it is straight vertically and horizontally.

Check

